

netvue

Orb Cam Quick Guide

Warning

This equipment has been tested and found to comply with the limits for a Class B digital device, pursuant to Part 15 of the FCC Rules. These limits are designed to provide reasonable protection against harmful interference when the equipment is operated in a commercial environment. This equipment generates uses and can radiate radio frequency energy and, if not installed and used in accordance with the instructions, may cause harmful interference to radio communications.

The antennas used for this transmitter must be installed to provide a separation distance of at least 20 cm from all persons and must not be co-located for operating in conjunction with any other antenna or transmitter.

FCC (USA) 15.9 prohibition against eavesdropping except for the operations of law enforcement officers conducted under lawful authority, no person shall use, either directly or indirectly, a device operated pursuant to the provision of this part for the purpose of overhearing or recording the private conversations of other unless such use is authorized by all of the parties engaging in the conversation.

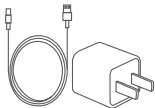
CE RED

This product can be used across EU member states.

What's In The Box



Mounting Bracket



Power Adapter



Drilling Template



X 2

Anchors

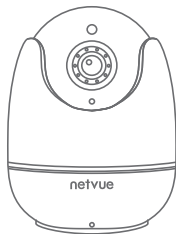


X 2

Mounting Screws

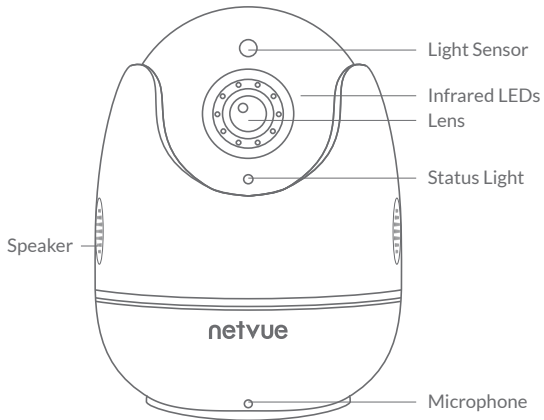


Quick Guide

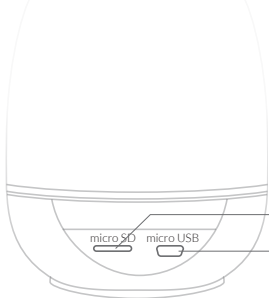


Orb Cam

More About Netvue Orb Cam



Front



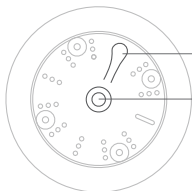
Micro SD Card Slot

micro SD

micro USB

Power Input

Back



Wi-Fi Configuration Button

Support Hole

Bottom

Read Before Installing

1. Keep the Orb Cam and all accessories out of reach of children and pets.
2. Power supply voltage that is required to operate Orb Cam should be DC5V.
3. The product can only be used in proper temperature and humidity:
Operating temperature: -10°C to 50°C (14°F to 122°F)
Operating humidity: 0-95%
4. Please do not expose the camera lens to direct sunlight.

Note:

1. Netvue Orb Cam only works with 2.4GHz Wi-Fi.
2. Strong lights may interfere with the ability to scan the QR code.
3. Avoid placing the device behind furniture or near microwaves.
Try to keep it within range of your Wi-Fi signal.

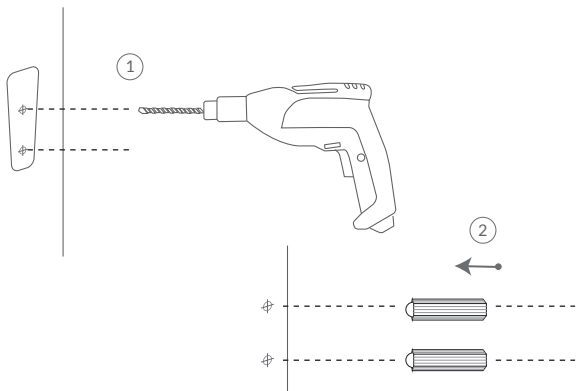
Set Up With The Netvue App



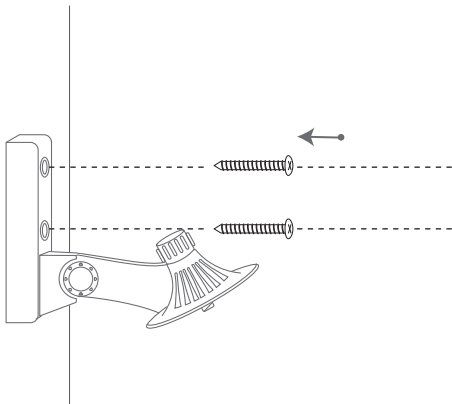
Download the Netvue App from App Store or Google Play. Follow the in-app instruction to complete the entire set up process.

Mount Your Orb Cam

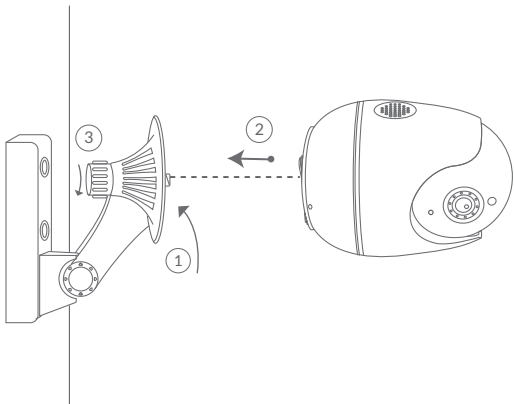
You can mount your Orb Cam on the wall.



1. Use the provided drilling template to mark the location of holes on the wall. Then use the drill bit (6mm) to drill two holes, and then install anchors to hold screws.



2. Install the Mounting Bracket with the Screws provided.



3. Adjust the angle to the proper position. Then, fix the Orb Cam to the Mounting Bracket.

Status Light

Netvue Orb Cam uses status light to communicate messages.

Status Light	Description
Solid Green	Online
Rapidly Flashing Green	Wi-Fi Configuration Mode
None	Offline

netvue

Feel free to contact us for additional help:



support@netvue.com



1(866)749-0567



[@NetvueTech](https://www.facebook.com/NetvueTech)



Netvue Forum
netvue.com/community



in-App Chat

www.netvue.com

240 W Whitter Blvd Ste A, La Habra, CA 90631

© 2010-2019 Netvue Technologies Co., Ltd. All Rights Reserved.

Version 2.0